

X+
OVERLAP

TS65



For the contractor who is considering the move to ride-on trowels our TS65 Ride-on Power Trowel is an easy step. The TS65 is an overlapping trowel based on our time tested B436 gearbox and spider plate assemblies. When you have found that walk behind trowels are no longer enough machine to get the job done make the step up to the TS65 Ride-on Power Trowel.

Features

- ✓ Overlapping Design for superior finishing.
- ✓ Dual 4 blade trowels are standard.
- ✓ Up to 20hp engine with power for all jobs.
- ✓ Torque sensitive drive train ensures that the power gets to the floor.
- ✓ Time tested gearboxes provide long life.
- ✓ Precision machined spider plates for smooth finishing.
- ✓ Lightweight design for early entry.

Ride-On Power Trowel

TS65

X+ OVERLAP

Options

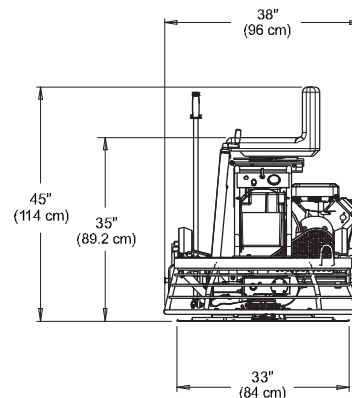
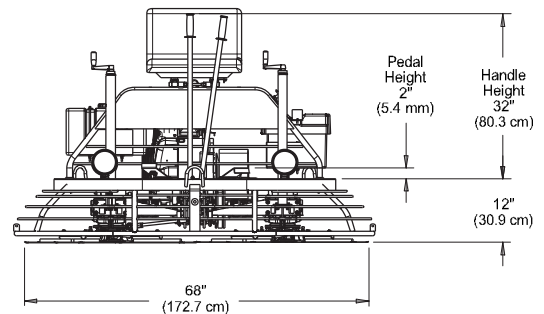
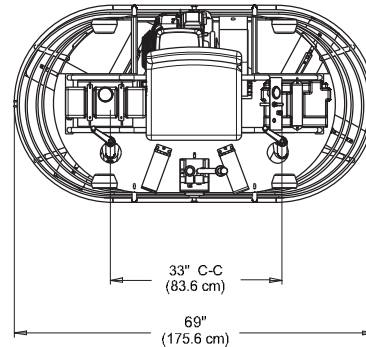
- ✓ Factory installed Retardant Spray System.
- ✓ Job site transporter.
- ✓ 8"x14" Combination blades in lieu of 6"x14" finishing blades.
- ✓ Various Gasoline Engine options available.

Performance Characteristics

Trowel RPM (maximum)	150 rpm
Trowel RPM (normal)	110-130 rpm
Travel speed (maximum)	500ft/min (213m/min)
Engine	18HP, electric start, air cooled V-twin
Fuel capacity	2.9 gal (10.9L)
Est. Running Time	6 hours
Weight (dry)	495lbs (225kg)
Weight (operating)	510lbs (232kg)
Sound power	105Dba
Vibration	<2.5m/s ²



Dimensions



For more information, product demonstration, or details on purchase, lease and rental plans, please contact your local BMI Dealer.

BARTELL MORRISON INC.

31 Sun Pac Blvd., Brampton, ON Canada L6S 5P6
 Tel 866-501-1683 • Local 905-458-5455 • Fax 905-458-5484
 www.bartellmorrison.com • sales@bartellmorrison.com

